

Masteri

Master in sterilization

21 Minute Cycle

25 Month Warranty



Class B
Autoclave

Masteri is the newest member of the Beyes family. Designed, prototyped and clinically tested for years prior to its market launch. Being one of the crucial piece of equipment, this unit has been engineered and worked carefully to ensure that the Masteri will withstand the toughest environments. Masteri is a Class B automatic-cycle autoclave and is available in 18 and 23 liter chamber sizes. It incorporates both Pre-Vac (removing air for optimal steam penetration) and Post-Vac (removing air for ultra-fast drying). It not only meets, but exceeds the requirements on "Class B+N" autoclave standard.



Safe

This Class B autoclave meets and exceeds the latest regulatory requirements so you can focus on your practice.



Secure

The built-in data logger saves time and money storing your data on a USB stick and has the option of an internal printer.



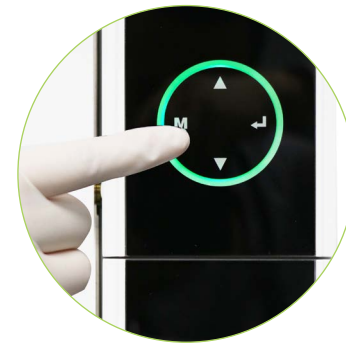
Fast

Masteri delivers industry leading sterilized instruments in approximately 21 minutes.



Simple

Sterilization options are easily accessible with the intuitive touch display to enhance user's experience.



MASTERI Capacitance Control

Capacitive sensing control is a technology based on capacitive coupling that can detect and measure anything that is conductive or has a dielectric different from air. MASTERI is the first autoclave equipped with capacitive sensing control that offer several advantages.

Seamless: eliminates cracks hibernating any foreign substances

Convenience: activates the buttons even with gloves on

Durable: eliminates liquid or moisture damage to the buttons



Pull-type drain connection: users can start and stop water drainage tasks by pulling or pushing the drain tube lightly, making the operation incredibly simple.



The device is equipped with standard USB 2.0 interface. Data will be automatically recorded to the USB drive after each cycle.

Safe Lock

Hook Type Door Lock: the mechanical primary door-lock and safety mechanism.

Micro-switch Door Locking System: a secondary door locking and safety system, ensuring the cycle will not start while the door is not securely closed.

Electronic Door Lock: locks the door pivot while the cycle runs. A tertiary protection and safety measure for ensuring the door is locked.



Aluminum Tray

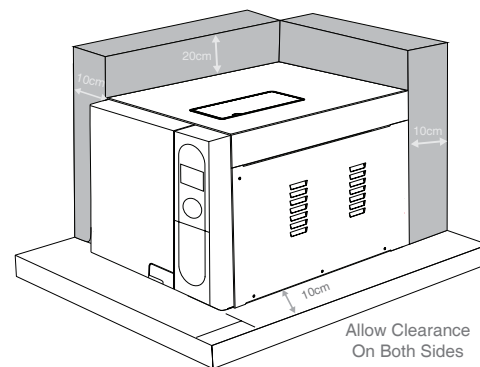


Bacteriological Filter



Double Hinge Door

Key Specifications



Masteri 18L

Masteri 23L

Chamber (DxL)	9.5" x 13.5" (241.5 x 343 mm)	9.5 x 18" (241.5 x 450 mm)
Overall Dimensions (W x H x D)	19.5" x 18" x 24" (490 x 455 x 600 mm)	19.5" x 18" x 27" (490 x 455 x 690 mm)
Net Weight	104 lbs (47 kg)	117 lbs (53 kg)
Tray Dimensions (W x D)	7.5" x 11" (192 x 280 mm)	7.5" x 15" (192 x 380 mm)
Voltage	110/230 V	110/230 V
Frequency	60 Hz	60 Hz
Power	1750 W	1750 W
Circuit Breaker	F16A / F20A	F16A / F20A
Sterilization Temperature	134°C	134°C
Sterilization Pressure	210 kPa	210 kPa
Capacity of the Distilled Water Tank	Approx. 2.5L	Approx. 2.5L
Working Temperature	5 °C - 40 °C	5 °C - 40 °C
Working Relative Humidity	Max. 80%, non-condensing	Max. 80%, non-condensing
Max. Noise Level	<70 dB	<70 dB
Atmospheric Pressure	76kPa - 106 kPa	76kPa - 106 kPa



Beyes Dental Canada Inc.
 23-595 Middlefield Rd
 Scarborough, ON M1V 3S2
 Canada
Tel: 1-855-603-1888
Email: info@beyes.ca
Website: www.beyes.ca



Lotus NL B.V.
 Koningin Julianaplein 10, Ie Verd,
 2595AA, The Hague,
 Netherlands

Your Dealer for Beyes Products



Scan the QR code
 for more information

Printed in Canada
 File #: ENB005
 Rev.5/09.26.24

© Beyes Canada Inc 2024. All Rights Reserved.
 Specifications are subject to change without notice.
 All brands are holders of their respective trademarks.
 All Beyes products are manufactured in strict compliance
 with Health Canada regulations ensuring quality.
 Manufacturing facility is ISO 13485 certified under the
 Medical Device Single Audit Program (MDSAP).