

**Beyes**<sup>®</sup>  
CANADA



**Comfortek<sup>®</sup> X3**  
Dental Operating System

## Comfortek<sup>®</sup> Series

Comfortek<sup>®</sup> Series is the best dental operating system of its class.

Designed and built fully according to industrial standard and offering high quality using advanced production process. Comfortek<sup>®</sup> Series is tailored for professionals in mind. It has all the features to provide optimal support with ergonomic design for better workflows, high quality standards in processing and design, and an unsurpassed value. Using our innovative power to provide more efficiency during treatments and improving the working environment.



**Unsurpassed Value**



**Ergonomic Design**



**High Quality**



Designed and built fully according to industrial standard and advanced production process, Comfortek® X3 performs more stably and reliably due to its superior quality.

Comfortek® X3 is equipped with high-performance motors to ensure smooth operation and low noise. Its ergonomic design and the seat and backrest linked chair (a chair where the seat and backrest can be moved backward and forward in linkage) further enhance the comfort of patient.

- Floor-standing water unit (as stable as a rock)
- Ergonomic design, with seat and backrest linked chair
- Efficient, with precision control of seat position



**High Standard**

Designed and built fully according to industrial standard and advanced production process. Both the instrument arm and the lamp arm are made of aluminum profile, which is high in strength and light in weight.

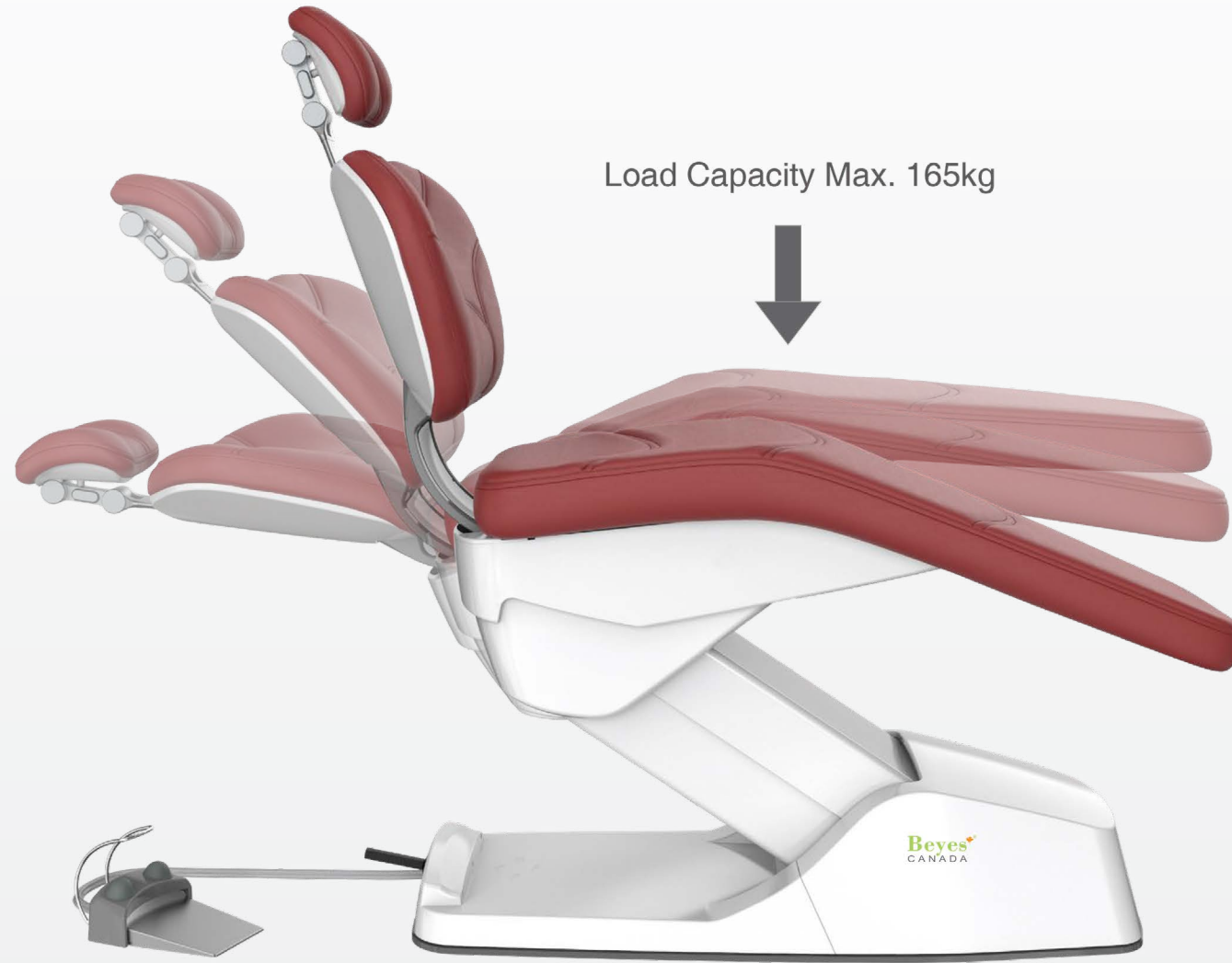


**Floor-standing Water Unit**

The unique design of the floor-standing water unit greatly enhances the stability of the dental chair.

**Seat and Backrest Linked Chair**

With a chair where the seat and backrest can be moved backward and forward in linkage, combining the ergonomics and the design of ultra-low chair position Comfortek® X3 makes it more convenient and comfortable for patients to receive treatments.



**FEATURES**

**Electric-control Dentist Element**

The dentist element available in both hanging hoses and whip arm version, with chair-instrument lock. Suitable for instruments such as motor, scaler etc.





**Hygienic**

The removable suction filter kit and 360° rotatable stainless water outlet make cleaning and disinfection easy and convenient.



**Proportional Foot Control**

The proportional foot control can flexible adjust the operating speed of instruments.



**Precision Control of Water Temperature**

Anti-dry burning, precision detection and control technology employed to achieve high accuracy of water temperature.

**Flexible Control**

The wide range swivel cuspidor bowl (removable) and assistant element provide the biggest possible treatment space.



**Main Switch**

Main switch for all (air, water and electricity), avoids standby status of the chair, prolonging its life and decreasing the chance for accident during off-time.



Retractable



**Smart LED Light**

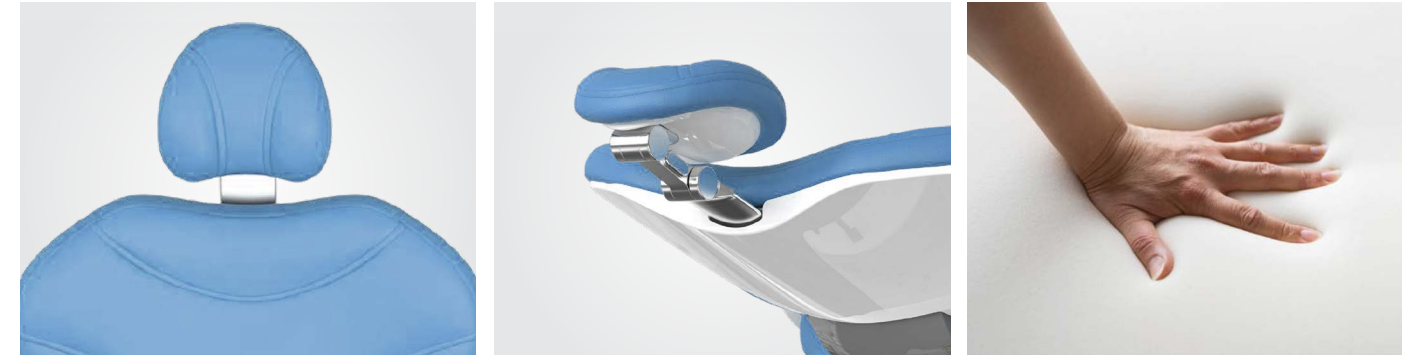
The LED light with switchable colors of light measured in Kelvins and luminance memory function. Its mechanical adjust ability in 3 axis ensures optimal position ability. To avoid direct light on the patient's eyes to cause discomfort during treatment, the LED light automatically turns off when the chair moves, and the LED light automatically turns on when the chair returns to the treatment position.

**Swivel Armrest**

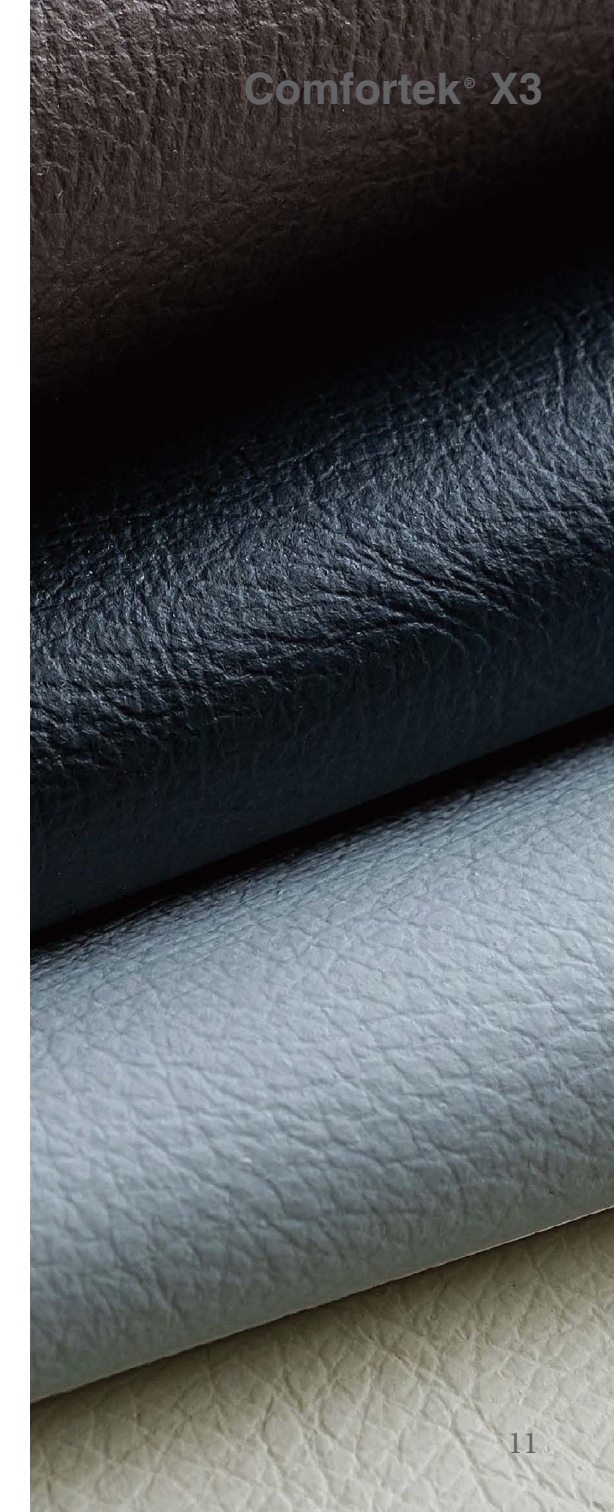
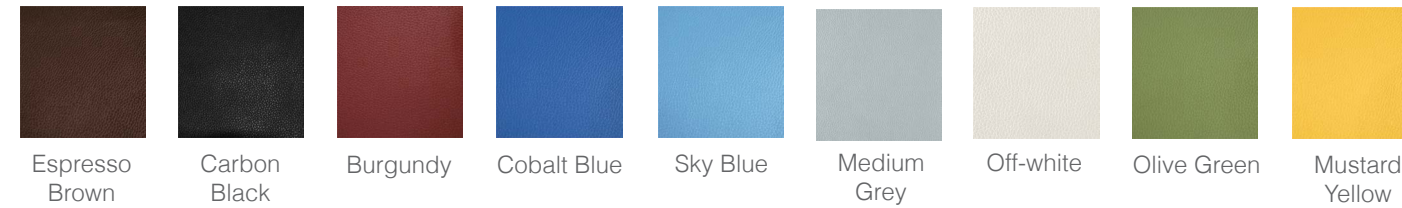
The right armrest can be rotated forward, which makes it easier for patients to get on and off the seat while also can be grasped, reducing the patient's tension.

**Material Upgrade**

- Minimalist design and easy to clean
- Exquisite sewing craftsmanship
- Strong and durable with excellent wear resistance
- High-density cushion, more comfortable to sit on



**Colour Options: Sewn**



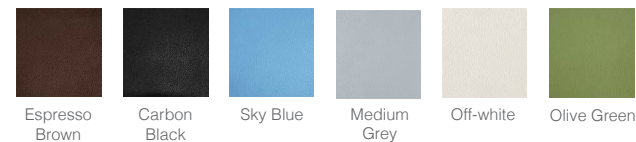
# Comfortek® X3 Expert

## Dental Operating System

**Includes:**

- Stellar patient chair
- Luxury upholstery
- Delivery unit
- Cuspidor
- Floor standing water unit
- L&R long arm rest
- Assistant and doctor control panel with memory position
- M5 LED light
- Built in LED piezo scaler
- Premium doctor stool and assistant stool
- 3 year warranty on parts
- 7 year warranty on motor

**Colour Options:**



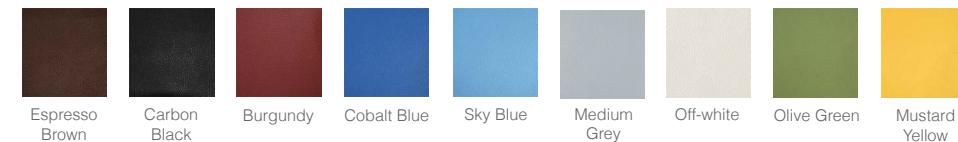
# Comfortek® X3 Master

## Comprehensive & Advanced Technology

**Includes:**

- Stellar patient chair
- Luxury sewn upholstery
- Deluxe Delivery unit
- Floor standing water unit
- L&R long arm rest
- Cuspidor
- Assistant and doctor control panel with memory position
- Airlock switch with 4 way joystick
- M8 LED operating light, white and yellow light sensor
- 2 Fiber-optic tubing
- Added electric motor
- Built in LED piezo scaler
- Premium doctor stool and assistant stool
- 3 year warranty
- 7 year warranty on motor

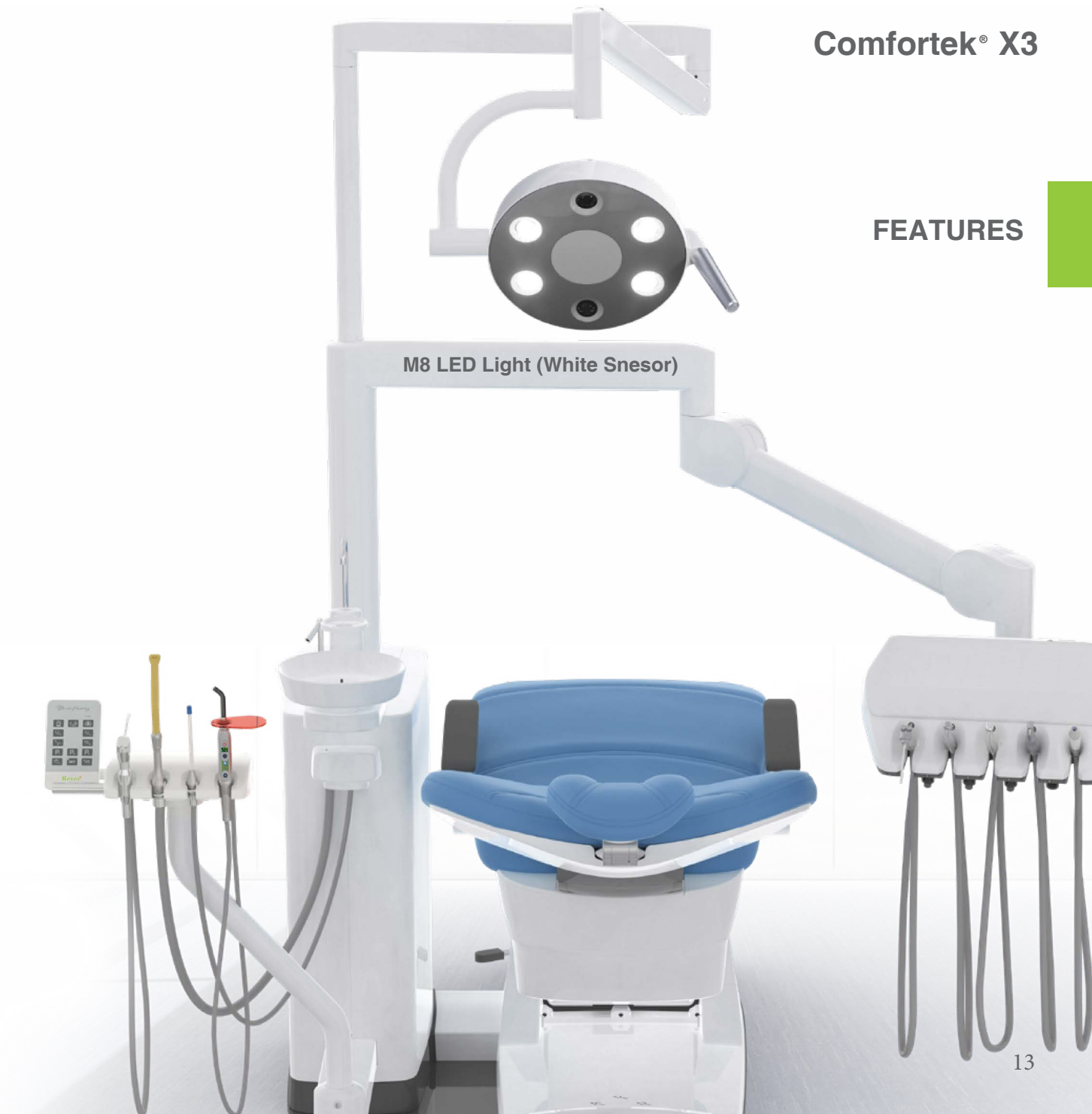
**Colour Options:**



M5 LED Light w/ Sensor



M8 LED Light (Yellow Sensor)



FEATURES

Flexible Options



Premium Doctor Stool  
Premium Assistant Stool



Cuspidor



Assistant Control Panel  
w/ Memory Position



Airlock Switch w/ 4 Ways Joystick



Curing Light



Electric Motor



Dentist Control Panel  
w/ Memory Position



Built-in LED Piezo Scaler



Fiber-optic Tubing



Multimedia System



Round Foot Control



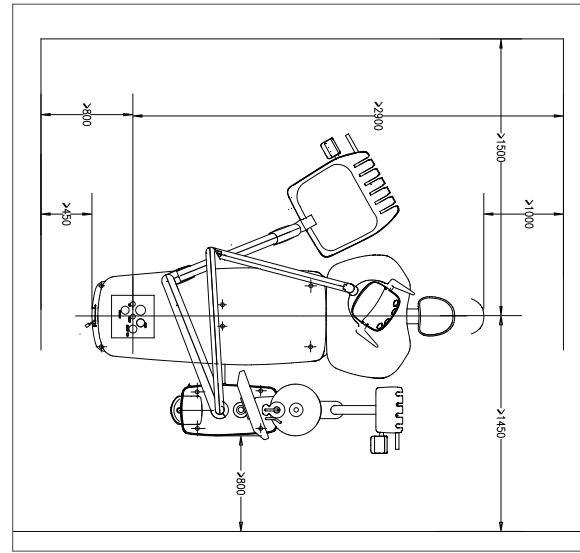
Hanging Hoses Control Panel

and more....

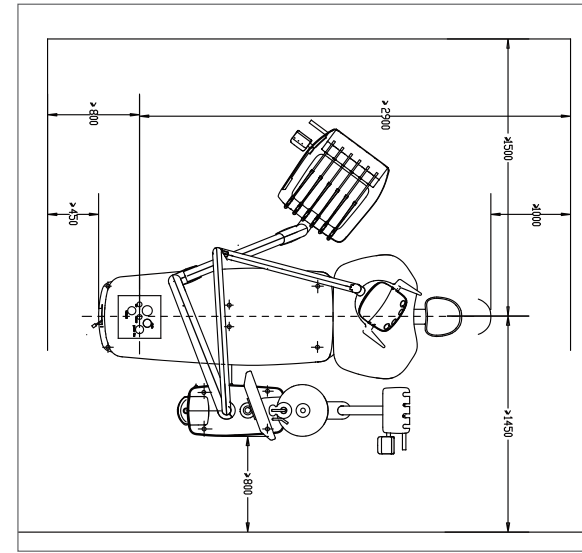
FEATURES



Space Requirements



W/ dentist element in hanging hoses version (mm)



W/ dentist element in whip arm version (mm)

Technical Specifications

Rated Voltage	110-120V AC/220-230V AC 60Hz/50Hz
Water Pressure	0.2-0.4MPa/ 2.0-4.0 bar
Water Flow	≥10 L/min
Air Pressure	0.55-0.80MPa/ 5.5-8.0 bar
Air Consumption	80L/min (without Venturi suction system) or 130 L/min (with Venturi suction system)
Suction machine	≥255L/min with central suction
Load capacity of patient's chair	165kg
Moving range of patient's chair	480-780mm

Comfortek X3 Configurations

Standard Configurations		
	Expert	Master
<b>Patient Chair</b>	●	●
Double-Articulated Headrest	●	●
Chair-Instrument Lock	●	●
4 Way Foot Control	●	●
Foot Control Operation Switches	●	●
Upholstery	Premium Sewn	Premium Sewn
Left Armrest	●	●
Right Armrest	●	●
Anti-collision system	●	●
<b>Water Unit</b>	●	●
Air & Water venturi system	●	●
Fresh water bottle	●	●
Removable Cuspidor Bowl	●	●
<b>Assistant Element</b>	●	●
Saliver Ejector (SE) x1	●	●
High Volume Evacuation (HVE) x1	●	●
Air/Water Syringe	●	●
Assistant Side Control Panel	●	●
<b>Dentist Element</b>	●	●
Dentist Side Control Panel	●	●
Air/Water Syringe	●	●
Ultrasonic Scaler (Built In)	●	●
Air Lock Switch with 4 Way Joystick		●
Handpiece Light Source System		2pcs
Electric Motor (Built In)		●
<b>Dental Light</b>	M5 LED Light	M8 LED Light
<b>Premium Doctor Stool</b>	●	●
<b>Premium Assisstant Stool</b>	●	●

Optional Configurations	
Curing Light	<input type="checkbox"/>
Multimedia System	<input type="checkbox"/>
High Speed Handpiece	<input type="checkbox"/>
Low Speed Handpiece	<input type="checkbox"/>
Handpiece Light Source System	<input type="checkbox"/> 1pc <input type="checkbox"/> 2pcs <input type="checkbox"/> 3pcs
Electric Motor	<input type="checkbox"/>
Dentist Element in Hanging Hoses Version	<input type="checkbox"/>
External Junction Box	<input type="checkbox"/>
Switch Kit (Air&Water Venturi to Air&Air Venturi)	<input type="checkbox"/>
Selection valve (Semi-wet suction)	<input type="checkbox"/>
Cuspidor valve and Selection valve (Wet suction)	<input type="checkbox"/>
Round Foot Control	<input type="checkbox"/>
Air Lock Switch with 4 Way Joystick	<input type="checkbox"/>

## Comfortek® X3 Series

*Smooth movement designed for comfort*





Beyes is the largest Canadian dental handpiece manufacturer with its corporate office located in Toronto. By taking advantage of the highly educated workforce and well-established manufacturing chain in Southern Ontario, Beyes has revolutionized the dental industry with groundbreaking advancements for precision dental instrumentations.

Our Vision: To create "The Next Standard" for dentistry.

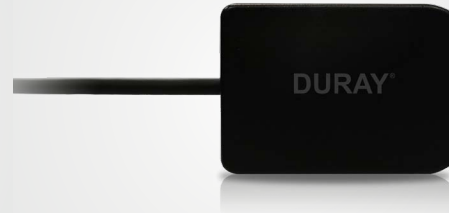
### Comprehensive Product Portfolio



Treatment Centers



Electric Motor



X-Ray Sensor



LED High Speed Handpieces



**Beyes Dental Canada Inc.**  
23-595 Middlefield Rd  
Scarborough, ON M1V 3S2  
Canada  
**Tel: 1-855-603-1888**  
**Email: info@beyes.ca**  
**Website: www.beyes.ca**



**Lotus NL B.V.**  
Koningin Julianaplein 10, le Verd,  
2595AA, The Hague,  
Netherlands

### Your Dealer for Beyes Products



Scan the QR code  
for more information

Printed in Canada  
File #: ENB056R1  
Rev.1/09.24.24

© Beyes Canada Inc 2024. All Rights Reserved.  
Specifications are subject to change without notice.  
All brands are holders of their respective trademarks.  
All Beyes products are manufactured in strict compliance  
with Health Canada regulations ensuring quality.  
Manufacturing facility is ISO 13485 certified under the  
Medical Device Single Audit Program (MDSAP).