

Beyes[®]
CANADA



Comfortek[®] X3
Dental Operating System

Comfortek[®] Series

Comfortek[®] Series is the best dental operating system of its class.

The Comfortek[®] Series is designed and built in accordance with industrial standards, offering high quality through an advanced production process. Tailored specifically for dental professionals, it includes all the features necessary to provide optimal support with an ergonomic design that enhances workflows. With exceptional standards in both processing and design, it delivers unmatched value. Our innovative approach boosts efficiency during treatments while improving the overall working environment.



Unsurpassed Value



Ergonomic Design



High Quality



The Comfortek® X3 is designed and built to meet industrial standards, utilizing an advanced production process to deliver superior quality for stable and reliable performance.

Equipped with high-performance motors, the Comfortek® X3 ensures smooth operation with minimal noise. Its ergonomic design, along with the seat and backrest-linked chair (where the seat and backrest move in sync), further enhances patient comfort.

- Floor-standing water unit, rock-solid and stable base
- Ergonomic design, with seat and backrest linked chair
- Efficient, with precision control of seat position



High Standard

Designed and built to meet industrial standards using an advanced production process, both the instrument arm and lamp arm are constructed from aluminum profiles, offering high strength while remaining lightweight.

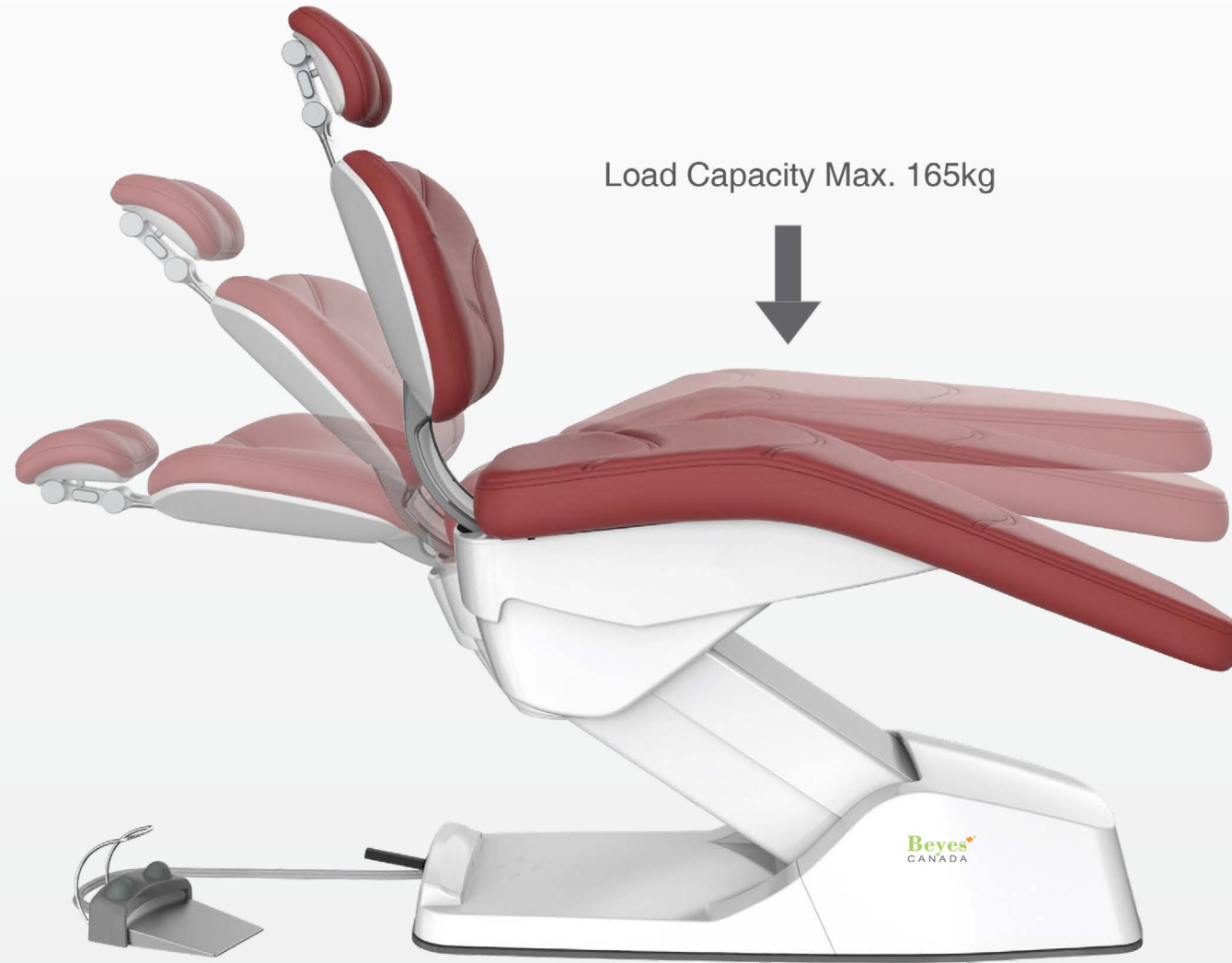


Floor-standing Water Unit

The unique design of the floor-standing water unit greatly enhances the stability of the dental chair.

Seat and Backrest Linked Chair

The Comfortek® X3 features a chair with a linked seat and backrest that move together, combining ergonomic design with an ultra-low chair position. This design enhances convenience and comfort, making it easier for patients to receive treatments.



FEATURES

Upgraded Electric-control Dentist Element

The dentist element has been upgraded to improve both convenience and hygiene. The new design features user-friendly controls and streamlined functionality, making it easier for dental professionals to operate. It also includes a chair-instrument lock, making it suitable for instruments such as motors, scalers, and more.





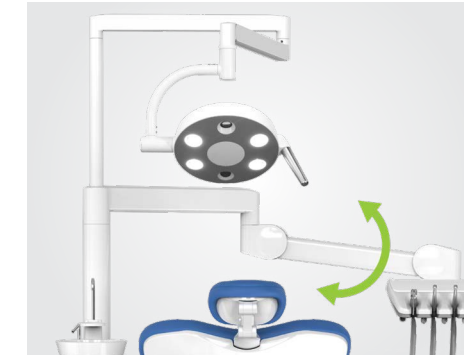
Hygienic

The removable suction filter kit and 360° rotatable stainless water outlet make cleaning and disinfection easy and convenient.



Proportional Foot Control

The proportional foot control can flexible adjust the operating speed of instruments.



Harmonized Movement

The arm is designed to be lightweight and highly maneuverable, allowing for smooth movement with minimal resistance. Its user-friendly design enables the dentist to operate it with just one hand, ensuring exceptional control and precision during procedures. This ease of use significantly enhances both efficiency and comfort.

2 Optional Positions

The wide range swivel cuspidor bowl and assistant element provide the biggest possible treatment space. Choose between two set-up options to install.



Main Switch

The main switch controls air, water, and electricity, preventing the chair from remaining in standby mode. This helps prolong its lifespan and reduces the risk of accidents during off-time.



Retractable



Dimmable Sensor Light

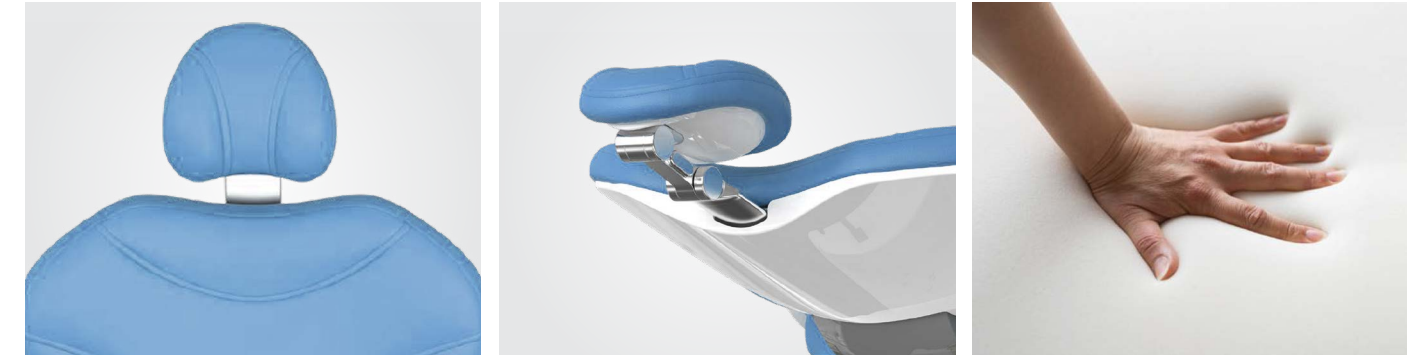
The LED light features switchable color temperatures, measured in Kelvins, and a luminance memory function. Its three-axis mechanical adjustability ensures optimal positioning. To prevent discomfort, the LED light automatically turns off when the chair moves and automatically turns back on when the chair returns to the treatment position, avoiding direct light on the patient's eyes during treatment.

Swivel Armrest

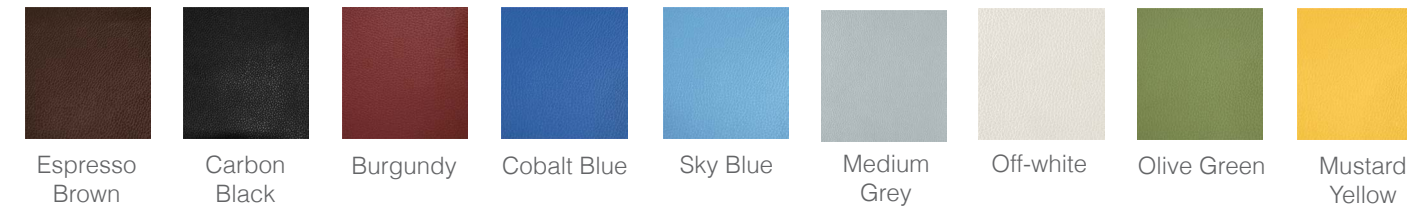
The right armrest can be rotated forward, making it easier for patients to get on and off the seat. It also provides a secure grip, helping to reduce patient tension and enhance comfort.

Material Upgrade

- Minimalist design and easy to clean
- Exquisite sewing craftsmanship
- Strong and durable with excellent wear resistance
- High-density cushion, more comfortable to sit on



Colour Options: Sewn



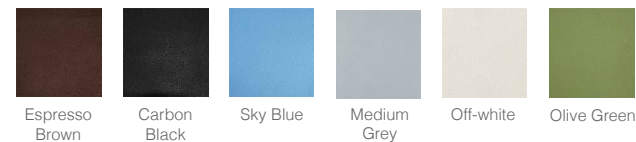
Comfortek® X3 Expert

Dental Operating System

Includes:

- Stellar patient chair
- Luxury upholstery
- Delivery unit
- Cuspidor
- Floor standing water unit
- L&R long arm rest
- Assistant and doctor control panel with memory position
- M5 LED light
- Built in LED piezo scaler
- Premium doctor stool and assistant stool
- 3 year warranty on parts
- 7 year warranty on motor

Colour Options:



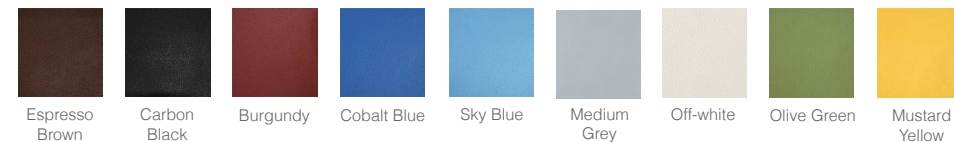
Comfortek® X3 Master

Comprehensive & Advanced Technology

Includes:

- Stellar patient chair
- Luxury sewn upholstery
- Deluxe Delivery unit
- Floor standing water unit
- L&R long arm rest
- Cuspidor
- Assistant and doctor control panel with memory position
- M8 LED operating light, white and yellow light sensor
- 2 Fiber-optic tubing
- Added electric motor
- Built in LED piezo scaler
- Premium doctor stool and assistant stool
- 3 year warranty
- 7 year warranty on motor

Colour Options:



M5 LED Light w/ Sensor



M8 LED Light (Yellow Sensor)



FEATURES

Flexible Options



Premium Doctor Stool
Premium Assistant Stool



Cuspidor



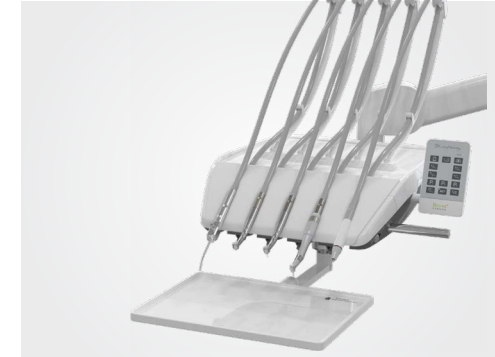
Assistant Control Panel
w/ Memory Position



Curing Light



Electric Motor



Whip Arm Version



Dentist Control Panel
w/ Memory Position



Built-in LED Piezo Scaler



Fiber-optic Tubing



Multimedia System

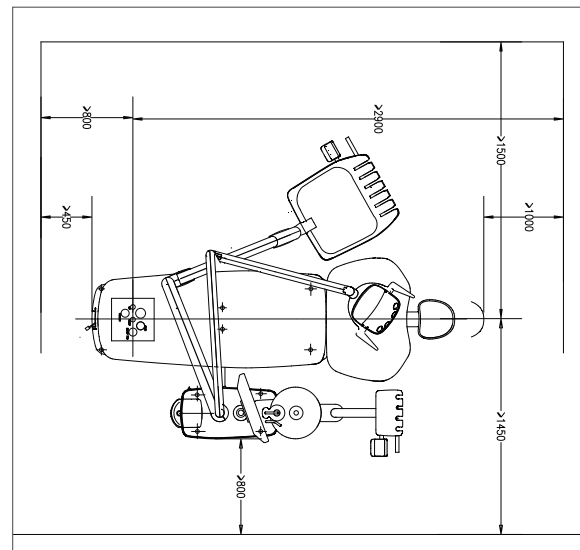


Round Foot Control

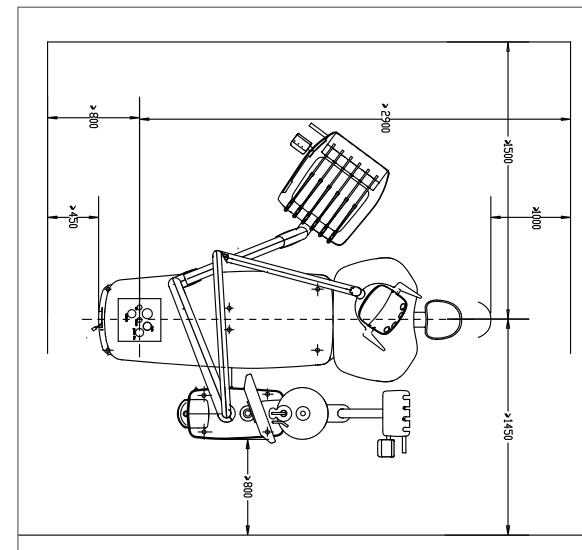
and more....

FEATURES

Space Requirements



W/ dentist element in hanging hoses version (mm)



W/ dentist element in whip arm version (mm)

Technical Specifications

Rated Voltage	110-120V AC/220-230V AC 60Hz/50Hz
Water Pressure	0.2-0.4MPa/ 2.0-4.0 bar
Water Flow	≥10 L/min
Air Pressure	0.55-0.80MPa/ 5.5-8.0 bar
Air Consumption	80L/min (without Venturi suction system) or 130 L/min (with Venturi suction system)
Suction machine	≥255L/min with central suction
Load capacity of patient's chair	165kg
Moving range of patient's chair	480-780mm

Comfortek X3 Configurations

Standard Configurations		
	Expert	Master
Patient Chair	●	●
Double-Articulated Headrest	●	●
Chair-Instrument Lock	●	●
4 Way Foot Control	●	●
Foot Control Operation Switches	●	●
Upholstery	Premium Sewn	Premium Sewn
Left Armrest	●	●
Right Armrest	●	●
Anti-collision system	●	●
Water Unit	●	●
Air & Water venturi system	●	●
Fresh water bottle	●	●
Removable Cuspidor Bowl	●	●
Assistant Element	●	●
Saliver Ejector (SE) x1	●	●
High Volume Evacuation (HVE) x1	●	●
Air/Water Syringe	●	●
Assistant Side Control Panel	●	●
Dentist Element	●	●
Dentist Side Control Panel	●	●
Air/Water Syringe	●	●
Ultrasonic Scaler (Built In)	●	●
Handpiece Light Source System		2pcs
Electric Motor (Built In)		●
Dental Light	M5 LED Light	M8 LED Light
Premium Doctor Stool	●	●
Premium Assisstant Stool	●	●

Optional Configurations	
Curing Light	<input type="checkbox"/>
Multimedia System	<input type="checkbox"/>
High Speed Handpiece	<input type="checkbox"/>
Low Speed Handpiece	<input type="checkbox"/>
Handpiece Light Source System	<input type="checkbox"/> 1pc <input type="checkbox"/> 2pcs <input type="checkbox"/> 3pcs
Electric Motor	<input type="checkbox"/>
Dentist Element in Whip Arm Control Panel	<input type="checkbox"/>
External Junction Box	<input type="checkbox"/>
Switch Kit (Air&Water Venturi to Air&Air Venturi)	<input type="checkbox"/>
Selection valve (Semi-wet suction)	<input type="checkbox"/>
Cuspidor valve and Selection valve (Wet suction)	<input type="checkbox"/>
Round Foot Control	<input type="checkbox"/>

Comfortek® X3 Series

Smooth movement designed for comfort





Beyes is the largest Canadian dental handpiece manufacturer with its corporate office located in Toronto. By taking advantage of the highly educated workforce and well-established manufacturing chain in Southern Ontario, Beyes has revolutionized the dental industry with groundbreaking advancements for precision dental instrumentations.

Our Vision: To create "The Next Standard" for dentistry.

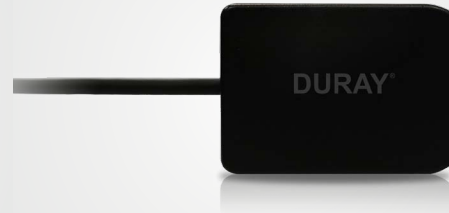
Comprehensive Product Portfolio



Treatment Centers



Electric Motor



X-Ray Sensor



LED High Speed Handpieces



Beyes Dental Canada Inc.
23-595 Middlefield Rd
Scarborough, ON M1V 3S2
Canada
Tel: 1-855-603-1888
Email: info@beyes.ca
Website: www.beyes.ca



Lotus NL B.V.
Koningin Julianaplein 10, le Verd,
2595AA, The Hague,
Netherlands

Your Dealer for Beyes Products



Scan the QR code
for more information

Printed in Canada
File #: ENB056R2
01.24.25

© Beyes Canada Inc 2025. All Rights Reserved.
Specifications are subject to change without notice.
All brands are holders of their respective trademarks.
All Beyes products are manufactured in strict compliance
with Health Canada regulations ensuring quality.
Manufacturing facility is ISO 13485 certified under the
Medical Device Single Audit Program (MDSAP).